



BDD INC.
EST. 1952

Sonoran

**Exterior Roller
Shades**

Retail Price List

Effective October 1st, 2019

Sonoran Exterior Roller Shades

Open Roll

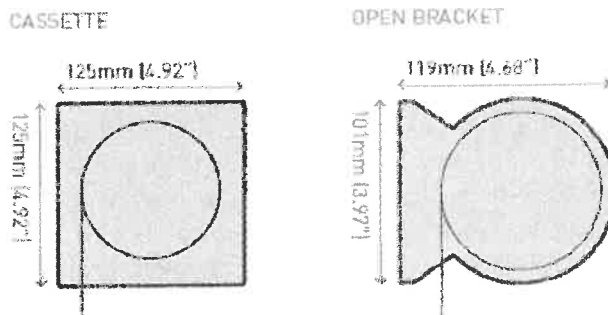
- *Open roll only available as Crank Operated
- *Heavy Duty Stainless Steel Brackets
- *Cable Guided Hem Bar, which can be attached to floor or ceiling
- *Exterior Hem Bar available in 5 colors: White†, Woodland Grey, Bronze, Black, Paperbark
- *Brackets are able to be Wall Mounted, Ceiling Mounted, or Side Mounted
- *Plastic bracket covers available in White, Woodland Grey, Black, and Paperbark

Fully Enclosed Headbox

- *Available as Crank Operated or Motorized
- *Fully Enclosed Aluminum Headbox available in White†, Woodland Grey, Bronze, Black, Paperbark
- *Cable Guided Hem Bar, which can be attached to floor or ceiling
- *Exterior Hem Bar available in 5 colors: White†, Woodland Grey, Bronze, Black, Paperbark
- *Headbox is able to be Wall Mounted, Ceiling Mounted, or Side Mounted
- *Somfy and Sonoran Motor Options available, see page ?

†White Extrusions available December 2019

Bracket Dimensions



Headbox/Hem Bar Colors



†White Extrusions available December 2019

Patterns

Pattern Name	Openness	Max Shade Size
Suntex 95	5%	156" x 108" or 126" x 156"
Vision 650	3%	156" x 108" or 96" x 156"

B.D.D., Inc. 2019

Sonoran Exterior Roller Shades

Open Roll, Crank Operated, Suntex 95

Price Group

1A

Height To

		Width To										
		48"	60"	72"	84"	96"	108"	120"	126"	132"	144"	156"
72"	1051	1125	1198	1271	1344	1417	1490	1527	1563	1636	1710	
84"	1070	1147	1225	1303	1381	1458	1536	1575	1614	1691	1769	
96"	1088	1170	1253	1335	1417	1500	1582	1623	1664	1746	1829	
108"	1106	1193	1280	1367	1454	1541	1628	1672	1715	1801	1888	
120"	1125	1216	1308	1399	1491	1582	1674	1720				
132"	1143	1239	1335	1431	1527	1623	1719	1767				
144"	1161	1262	1363	1463	1564	1665	1765	1816				
156"	1180	1285	1390	1495	1601	1706	1811	1864				

Open Roll Exterior Shade only available as a crank operated shade. Motorization is not available.

Price Group

1B

Height To

Headbox, Crank Operated, Suntex 95

		Width To										
		48"	60"	72"	84"	96"	108"	120"	126"	132"	144"	156"
72"	1194	1315	1436	1556	1677	1798	1919	1980	2040	2161	2282	
84"	1212	1338	1463	1589	1714	1840	1965	2028	2090	2216	2341	
96"	1231	1361	1491	1621	1751	1881	2011	2076	2141	2271	2401	
108"	1249	1383	1518	1653	1787	1922	2057	2124	2191	2326	2461	
120"	1267	1406	1546	1685	1824	1963	2103	2173				
132"	1286	1429	1573	1717	1861	2005	2148	2220				
144"	1304	1452	1601	1749	1897	2046	2194	2269				
156"	1322	1475	1628	1781	1934	2087	2240	2317				

Sonoran Exterior Roller Shades

Open Roll, Crank Operated, Vision 650 3%

Price Group	2A	Width To										
		48"	60"	72"	84"	96"	108"	120"	126"	132"	144"	156"
Height To	72"	1060	1135	1210	1285	1360	1436	1511	1549	1586	1661	1736
	84"	1079	1159	1239	1319	1400	1480	1560	1600	1640	1720	1800
	96"	1099	1184	1269	1354	1439						
	108"	1118	1208	1298	1388	1478						
	120"	1138	1232	1327	1422	1517						
	132"	1157	1257	1356	1456	1556						
	144"	1177	1281	1386	1490	1595						
	156"	1196	1306	1415	1524	1634						

Open Roll Exterior Shade only available as a crank operated shade. Motorization is not available.

Price Group	2B	Width To										
		48"	60"	72"	84"	96"	108"	120"	126"	132"	144"	156"
Height To	72"	1202	1325	1448	1571	1694	1817	1940	2002	2063	2186	2309
	84"	1222	1349	1477	1605	1733	1861	1989	2053	2117	2244	2372
	96"	1241	1374	1507	1639	1772						
	108"	1261	1398	1536	1673	1811						
	120"	1280	1423	1565	1708	1850						
	132"	1300	1447	1594	1742	1889						
	144"	1319	1471	1624	1776	1928						
	156"	1339	1496	1653	1810	1967						

Motor Surcharges*

*Net Prices

*Motorization available for Headbox only. To price out a motorized shade, apply discount to shade above and then add the motor surcharge to the net price. Motor pricing is net pricing, no discounts apply.

Sonoran Motors

4510AC RF	
453 Battery RF	
4510 Battery RF	

Somfy Motors

ST506 RTS	
ST510 RTS	

BDD Motorization

Sonoran Motorization Options* (Net Pricing)

4510AC RF	
453 Battery RF	
4510 Battery RF	

To price out an exterior shade, add the surcharge above to the net price of the shade with Headbox.

Sonoran Motor Specifications

	Tube Size	Voltage/Motor Type	Noise Level**	RPM	Min./Max. Width	Max. Weight	
Motor	453	78 mm	12V Rechargeable Battery	40 dB	28	40"/156"	18 pounds
	4510	78 mm	12V Rechargeable Battery	42 dB	9	40"/156"	42 pounds
	4510AC	78 mm	110V Wired AC	42 dB	21	38"/156 "	42 pounds

**For motor only.

Sonoran Control Options* (Net Pricing)

RF 1 Channel White Remote	RF 5 Channel Surface Mount White Switch
RF 5 Channel White Remote	RF 1 Channel White Wall Switch (cut in)
RF 5 Channel Black Remote	RF 2 Channel White Wall Switch (cut in)
RF 15 Channel White Remote	RF 15 Channel White Wall Switch (cut in)
Sun Sensor	ARC Hub Serial Adapter Kit
ARC Repeater	Sun, Wind and Rain Sensor **
ARC Hub Wi-Fi to RF Bridge	**only works with Sonoran 4510 AC motor

Somfy Motorization Options* (Net Pricing)

ST506 RTS	
ST510 RTS	

To price out an exterior shade, add the surcharge above to the net price of the shade with Headbox.

Somfy Motor Specifications

	Tube Size	Voltage/Motor Type	Noise Level**	Min./Max. Width	Max. Weight	
Motor	ST506	78 mm	110V AC	45 dBA	33"/156"	35 LBS
	ST510	78 mm	110V AC	47 dBA	33"/156"	58 LBS

Somfy Control Options*

Single Channel RTS Patio Remote (White/Blue)	1 CH RTS Wall Switch (White, Ivory)
Five Channel RTS Patio Remote (White/Blue)	5 CH RTS Wall Switch (White, Ivory)
Soliris 1 Channel Patio Remote (White)	Single Channel RTS Wall Switch (Black)
Soliris 5 Channel Patio Remote (White)	Five Channel RTS Wall Switch (Black)
	RTS Single Channel Wireless Timer (White)
RTS Repeater	MyLink

*All Pricing on this page is net pricing, discounts do not apply.

B.D.D., Inc. 2019

Terms and Conditions

ORDER PROCESSING

Telephone Orders

Verbal orders are accepted as the dealer's responsibility. Each order will be repeated back by the Customer Service Representative. In certain instances, we may require written orders.

Changes and Cancellations

All products are custom-made to your specifications under tight deadlines. Once production has begun on your order, changes and cancellations cannot be made.

FREIGHT

Freight for custom blind orders, see BDD freight policy.

Shipments outside the continental U.S. are subject to freight charges. Chargeable parts and returns for repair are subject to freight charges.

CLAIMS AND RETURNS

Defective Merchandise

All manufacturing defects must be reported to Customer Service within 30 days of receipt of blinds. We may require the return of defective blinds prior to repair or replacement.

Returns for Repair

Prior to return for repair, contact Customer Service. We will request the order number, date, purchase order number, and type of product. Arrangements for return will be made at that time with directions as to how the blinds should be returned. The package should be marked for easy identification both inside and outside, and should contain a written confirmation of the verbal repair instructions. Repairs should be packaged carefully.

Product that has been mishandled or received in poor condition will be returned to the customer.

Chargebacks for unauthorized repairs or additional installation cannot be honored. All returns for repair are subject to freight charges.

Returns for Credit

Returns can be accepted only if prior authorization has been obtained from Customer Service. Authorization will include instructions as to how the merchant

Freight Damage UPS/Fed EX

If freight damage is visible, refuse the shipment UPS/RPS will inspect the damage and return to the shipping location. Contact Customer Service for further information.

If freight damage is concealed, retain all packaging materials and contact Customer Service immediately.

Duplicated Orders

All orders are confirmed after entry into our system. Customer service is not responsible for duplicate orders caused by a written order following a telephone order or duplicate faxes.

Contract Orders

Advise Customer Service if you have a contract quote.

PRICING AND TERMS

All prices are subject to change without notice. Until credit is approved, terms are Cash With Order. Standard terms are Net 30 days from invoice date.

Incorrect Merchandise

If any part of your shipment was made incorrectly, please advise Customer Service immediately. A replacement will be made at no charge if the problem was due to B.D.D., Inc. error. If the problem was due to dealer or customer error, the original order and replacement order will be full

Freight Damage Common Carrier (All Shipments FOB Shipping Point)

If freight damage is visible, refuse the shipment. The carrier will return the merchandise to the shipping location for inspection. Contact Customer Service for further information.

If freight damage is concealed, contact Customer Service immediately.

BDD, Inc. Statement of Warranty

Limited Lifetime Warranty

B.D.D., Inc. warrants to the original purchaser that the product purchased from B.D.D., Inc. is free from defect in material and workmanship under normal use and as long as the product remains in the original window. This warranty extends only to the original purchaser of the product.

Motors and motor components are warranted for a period of 5 years. Batteries and battery wands are exempt from this warranty. Fabrics are warranted for a period of 5 years.

This warranty shall not apply to any of the parts that have failed due to accident, negligence, alteration, misuse, abuse, improper handling, installation or maintenance, failure to follow instructions for operating or installing the product, loss of color intensity due to exposure of the sun over a long time, exposure to salt air, or normal wear and tear will also void this warranty.

B.D.D., Inc.'s obligation under this warranty shall be limited to the repair or exchange of any parts or components that may prove defective in normal use within the life of the blind. B.D.D., Inc. reserves the right to inspect any product or components prior to repair. In no event shall B.D.D., Inc. be liable for transportation costs to B.D.D., Inc. B.D.D., Inc. will not be liable for cost of removal or reinstallation of the product, or incidental damages.

To obtain service under this warranty, contact your retailer for replacement or return the product to the retailer. The original purchaser shall be responsible for the transportation cost of the product or replacement back to the original purchaser anywhere in the continental United States. No agent, representative dealer, or unauthorized employee of B.D.D., Inc. has the authority to increase or alter the obligation of this warranty. This warranty does not apply to contract orders.

*Written, online, or faxed orders are recommended (preferred) however, verbal orders are accepted as the dealer's responsibility.

B.D.D., Inc. 2019