



BDD INC.
EST. 1952

Sonoran

2" Horizontal Blinds

Retail Price List

Effective October 1st, 2018

Sonoran Wood and Faux Wood

Valance Specifications

Valance Dimensions			
Sonoran Wood	Width	1/2"	Height 3 1/4"
Sonoran Faux Wood	Width	1/2"	Height 3 1/4"

Valances are attached to headrail using high strength magnets as standard, and metal valance clips are optional.

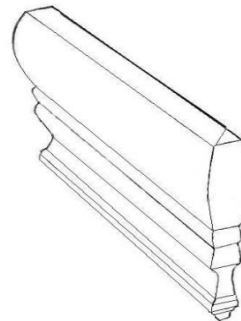
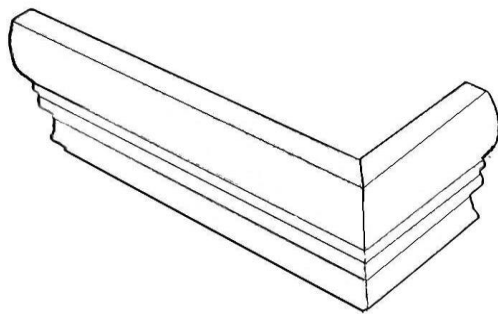
On valances with returns greater than 1", the returns will be attached to the valance using corner clips. On valances less than 1", the returns will be glued on.

Outside Mount	
Width	Order width plus 1/2"
Standard Returns	2 5/8"
Minimum Return Size	1/2"
Bracket Installation	Wall Face

Flush Mount	
Width	Order width plus 1"
Standard Returns	Flush with back of valance
Bracket Installation	Recessed, the front edge of bracket mounted flush with wall face.

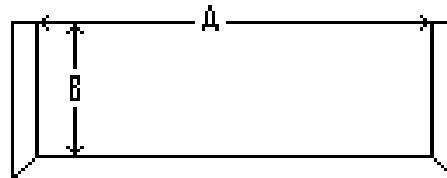
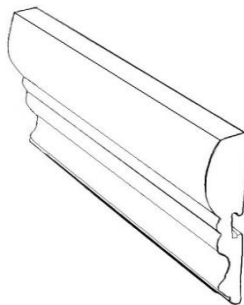
Inside Mount	
Width	Order width minus 1/8"
Standard Returns	None, valance is flush cut on the end.
Bracket Installation	Recessed, the front edge of bracket mounted 5/8" from the front of wall.

Outside Mount Valance w/ Standard Returns	Flush Mount
---	-------------



Inside Mount	How Valances are Measured
--------------	---------------------------

A = Valance Width B = Return Length



BDD Sonoran Faux Wood Collection

Smooth and Sandblast Painted/Whites

		WIDTH TO												
		24"	30"	36"	42"	48"	54"	60"	66"	72"	78"	84"	90"	96"
HEIGHT TO	30"	97	105	113	123	132	155	163	172	181	205	216	223	231
	36"	101	109	118	130	140	163	172	183	193	216	229	237	245
	42"	104	113	122	135	161	170	179	190	201	225	238	247	257
	48"	108	117	128	141	168	179	188	200	212	237	251	260	271
	54"	110	120	132	162	175	185	196	207	236	246	260	271	282
	60"	114	126	137	168	181	193	205	218	246	258	273	285	297
	66"	117	128	157	172	188	200	211	225	255	267	284	295	307
	72"	120	133	163	179	194	207	220	235	266	279	297	310	321
	78"	123	137	167	184	201	214	227	258	275	288	306	320	333
	84"	127	157	172	190	207	222	236	268	285	299	319	333	347
	90"	145	161	176	196	214	228	244	276	294	308	329	343	359
	96"	149	165	180	201	219	235	250	284	302	317	338	354	369
	102"	153	168	187	207	227	244	275	293	314	329	351	368	384
	108"	155	172	190	211	232	249	282	301	321	338	360	378	395

*Two or more blinds on one headrail are recommended for sizes in shaded area. Price as two separate blinds.

The gap between multiple blinds on one headrail is 1/4". Cordless available on single shades up to 72".

Features and Specifications		Cloth Tape Colors								
Slat Size	2" Wide	100 White		349 Clay						
Headrail	2 1/4"x2" High Profile Steel HR	113 Duck White		378 Cocoa						
Bottom Rail	Trapezoid	293 Bordeaux		504 Moss						
Valance	3 1/4" Crown	302 Taupe		572 Forest						
Tilt Control	Cord Standard	307 White Smoke		685 Midnight Blue						
Brackets	Box, Metal	323 Dark Beige		899 Black						
2/3 Blinds on 1 Headrail	No Additional Charge	334 Pecan								
Maximum Width	96" O.B.	Ladder Count Chart								
Maximum Length	108"	O.B. Width	Qty.	O.B. Width	Qty.					
Minimum Width	8" O.B.	8" - 20"	2	45 1/8" - 67"	5					
Minimum Length	6"	20 1/8" - 38"	3	67 1/8" - 81"	6					
Maximum Valance Width	96" O.B.	38 1/8" - 45"	4	81 1/8" - 96"	7					
Deductions	I.B.:Width-1/2", O.B.:None	Sonoran Battery Motorization Options: Tilt Only *								
Blinds under 20" O.B.	Split Controls Only	Radio:	12V Radio Motor w/ reloadable wand**		\$184					
Blinds under 12" O.B.	Center Tilt Only		12V Radio Motor w/ rechargeable wand†		\$230					
Camber /Bow Tolerance	1/32" per 12" of Width		Single Channel Remote (White)		\$53					
Hold Down Brackets	No Charge at Time of Order		15 Channel Remote (White)		\$62					
Extension Brackets	No Charge at Time of Order		Single Channel Cut-In Wall Switch (White)		\$40					
Cordless*†	Min: 20" x 24" Max: 72" x 72"		Five Channel Surface Mount Switch (White)		\$52					
Warranty	Limited Lifetime		Motor Charger		\$23					
*Cordless not available for multiple shades on one headrail.			* Net Pricing **Uses 8-AA Lithium Ion Batteries							
† Cordless not available with privacy (routeless)		† Motor charger required								
Retail Surcharge Options										
Cut-out--per side	\$15	Cloth Tape Ladders		add 15%						
Cut-out--center	\$20	Privacy with no route holes		add 10%						
Striping charge	\$25 first color	Cordless - up to 48"		\$35						
	\$10 each additional	Cordless - 48-1/8" - 72"		\$70						
Stacking Height Chart										
HEIGHT	36"	42"	48"	54"	60"	66"	72"	84"	96"	108"
STACKING HEIGHT	5 7/8"	6 3/8"	7 1/4"	7 3/4"	8 1/4"	8 3/4"	9 1/2"	10 5/8"	11 3/4"	12 7/8"

BDD Sonoran Faux Wood Collection

Stains

WIDTH TO

	24"	30"	36"	42"	48"	54"	60"	66"	72"	78"	84"	90"	96"
30"	102	111	120	132	144	167	176	188	198	223	236	244	253
36"	108	117	128	141	153	179	189	201	212	238	253	262	272
42"	110	122	133	148	176	187	198	211	224	250	266	276	288
48"	115	128	141	157	185	198	210	224	238	266	282	294	306
54"	119	132	146	178	193	206	219	235	264	277	295	308	321
60"	124	139	154	187	203	218	232	247	280	294	312	327	341
66"	128	144	175	193	211	225	241	258	290	306	325	339	355
72"	133	149	181	202	220	237	253	271	304	321	342	358	374
78"	137	154	188	209	228	245	262	297	316	333	355	372	389
84"	143	175	194	216	238	257	275	310	330	349	372	390	408
90"	161	180	200	223	245	264	284	320	342	361	385	404	424
96"	165	185	206	229	253	273	293	330	352	373	398	417	438
102"	170	190	212	238	263	284	320	343	368	389	415	437	457
108"	174	196	219	245	269	292	329	354	378	400	428	450	472

*Two or more blinds on one headrail are recommended for sizes in shaded area. Price as two separate blinds.

The gap between multiple blinds on one headrail is 1/4". Cordless available on single shades up to 72".

Features and Specifications		Cloth Tape Colors									
Slat Size	2" Wide	100 White		349 Clay							
Headrail	2 1/4"x2" High Profile Steel HR	113 Duck White		378 Cocoa							
Bottom Rail	Trapezoid	293 Bordeaux		504 Moss							
Valance	3 1/4" Crown	302 Taupe		572 Forest							
Tilt Control	Cord Standard	307 White Smoke		685 Midnight Blue							
Brackets	Box, Metal	323 Dark Beige		899 Black							
2/3 Blinds on 1 Headrail	No Additional Charge	334 Pecan									
Maximum Width	96" O.B.	Ladder Count Chart									
Maximum Length	108"	O.B. Width	Qty.	O.B. Width	Qty.						
Minimum Width	8" O.B.	8" - 20"	2	45 1/8" - 67"	5						
Minimum Length	6"	20 1/8" - 38"	3	67 1/8" - 81"	6						
Maximum Valance Width	96" O.B.	38 1/8" - 45"	4	81 1/8" - 96"	7						
Deductions	I.B.:Width-1/2", O.B.:None	Sonoran Battery Motorization Options: Tilt Only *									
Blinds under 20" O.B.	Split Controls Only	Radio:	12V Radio Motor w/ reloadable wand**	\$184							
Blinds under 12" O.B.	Center Tilt Only		12V Radio Motor w/ rechargeable wand†	\$230							
Camber /Bow Tolerance	1/32" per 12" of Width		Single Channel Remote (White)	\$53							
Hold Down Brackets	No Charge at Time of Order		15 Channel Remote (White)	\$62							
Extension Brackets	No Charge at Time of Order		Single Channel Cut-In Wall Switch (White)	\$40							
Cordless*†	Min: 20" x 24" Max: 72" x 72"		Five Channel Surface Mount Switch (White)	\$52							
Warranty	Limited Lifetime		Motor Charger	\$23							
*Cordless not available for multiple shades on one headrail.		* Net Pricing **Uses 8-AA Lithium Ion Batteries									
† Cordless not available with privacy (routeless)		† Motor charger required									
Retail Surcharge Options											
Cut-out--per side	\$15	Cloth Tape Ladders		add 15%							
Cut-out--center	\$20	Privacy with no route holes		add 10%							
Striping charge	\$25 first color	Cordless - up to 48"		\$35							
	\$10 each additional	Cordless - 48-1/8" - 72"		\$70							
Stacking Height Chart											
HEIGHT		36"	42"	48"	54"	60"	66"	72"	84"	96"	108"
STACKING HEIGHT		5 7/8"	6 3/8"	7 1/4"	7 3/4"	8 1/4"	8 3/4"	9 1/2"	10 5/8"	11 3/4"	12 7/8"

BDD Sonoran Wood Collection

2" Basswood Blinds

		WIDTH TO											
		24"	30"	36"	42"	48"	54"	60"	66"	72"	78"	84"	96"
HEIGHT TO	30"	98	108	120	133	144	167	178	192	203	227	239	263
	36"	103	116	129	144	156	180	192	208	221	245	259	286
	42"	107	121	136	151	177	190	204	220	233	260	275	303
	48"	113	129	144	162	189	203	218	236	251	279	295	326
	54"	118	133	151	182	197	213	229	248	277	293	310	344
	60"	124	142	159	192	209	226	244	264	295	312	330	367
	66"	129	146	178	199	218	236	255	277	308	326	346	384
	72"	134	153	186	210	230	249	269	292	324	345	366	408
	78"	138	159	193	217	238	259	279	317	338	359	381	425
	84"	144	179	202	228	250	272	295	333	355	378	401	448
	90"	162	184	209	235	258	282	305	345	368	392	417	466
	96"	165	190	215	243	268	291	316	357	382	406	432	483
	102"	171	197	224	254	279	304	343	373	399	425	452	506
108"	176	203	230	261	288	315	354	385	412	439	467	524	
114"	182	210	239	271	300	328	368	401	429	458	488	547	
120"	186	216	245	278	308	337	380	413	442	472	503	565	

*Two or more blinds on one headrail are recommended for sizes in shaded area. Price as two separate blinds.

The gap between multiple blinds on one headrail is 1/4". Cordless available on single shades up to 72".

Features and Specifications		Cloth Tape Colors			
Slat Size	2" Wide	100 White		349 Clay	
Headrail	2 1/4"x2" High Profile Steel HR	113 Duck White		378 Cocoa	
Bottom Rail	Trapezoid	293 Bordeaux		504 Moss	
Valance	3 1/4" Crown	302 Taupe		572 Forest	
Tilt Control	Cord Standard	307 White Smoke		685 Midnight Blue	
Brackets	Box, Metal	323 Dark Beige		899 Black	
2/3 Blinds on 1 Headrail	No Additional Charge	334 Pecan			
Maximum Width	96" O.B.	Ladder Count Chart			
Maximum Length	120"	O.B. Width	Qty.	O.B. Width	Qty.
Minimum Width	8" O.B.	8" - 36"	2	60 1/8" - 85"	4
Minimum Length	6"	36 1/8" - 60"	3	85 1/8" - 96"	5
Maximum Valance Width	96" O.B.	Sonoran Battery Motorization Options: Tilt Only *			
Deductions	I.B.:Width-1/2", O.B.:None	Radio:	12V Radio Motor w/ reloadable wand**		\$184
Blinds under 20" O.B.	Split Controls Only		12V Radio Motor w/ rechargeable wand†		\$230
Blinds under 12" O.B.	Center Tilt Only		Single Channel Remote (White)		\$53
Camber /Bow Tolerance	1/32" per 12" of Width		15 Channel Remote (White)		\$62
Hold Down Brackets	No Charge at Time of Order		Single Channel Cut-In Wall Switch (White)		\$40
Extension Brackets	No Charge at Time of Order		Five Channel Surface Mount Switch (White)		\$52
Cordless*†	Min: 20" x 24" Max: 72" x 72"		Motor Charger		\$23
Warranty	Limited Lifetime		* Net Pricing **Uses 8-AA Lithium Ion Batteries		
*Cordless not available for multiple shades on one headrail.		† Motor charger required			
‡ Cordless not available with privacy (routeless)					

Retail Surcharge Options

Cut-out--per side	\$15	Cloth Tape Ladders	add 15%
Striping charge	\$25 first color	Privacy with no route holes	add 10%
	\$10 each additional	Cordless - up to 48"	\$35
		Cordless - 48-1/8" - 72"	\$70

Stacking Height Chart

HEIGHT	36"	42"	48"	54"	60"	66"	72"	84"	96"	108"	120"
STACKING HEIGHT	5 7/8"	6 3/8"	7 1/4"	7 3/4"	8 1/4"	8 3/4"	9 1/2"	10 5/8"	11 3/4"	12 7/8"	14"