



# Sonoran

## 2" Horizontal Blinds

Retail Price List

Effective March 1st, 2018

# Sonoran Wood and Faux Wood

## Valance Specifications

Valance Dimensions			
Sonoran Wood	Width	1/2"	Height 3 1/4"
Sonoran Faux Wood	Width	1/2"	Height 3 1/4"

Valances are attached to headrail using high strength magnets as standard, and metal valance clips are optional.

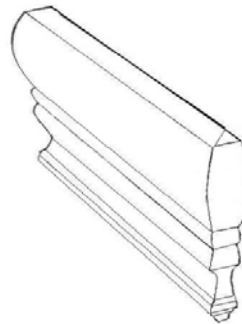
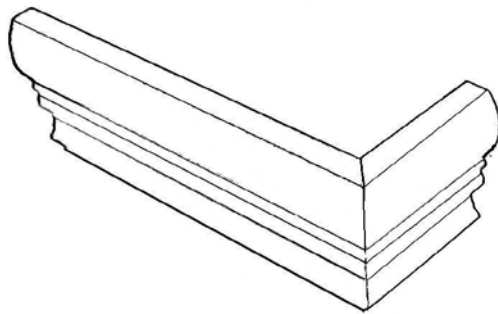
On valances with returns greater than 1", the returns will be attached to the valance using corner clips. On valances less than 1", the returns will be glued on.

Outside Mount	
Width	Order width plus 1/2"
Standard Returns	2 5/8"
Minimum Return Size	1/2"
Bracket Installation	Wall Face

Flush Mount	
Width	Order width plus 1"
Standard Returns	Flush with back of valance
Bracket Installation	Recessed, the front edge of bracket mounted flush with wall face.

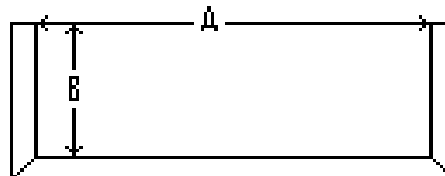
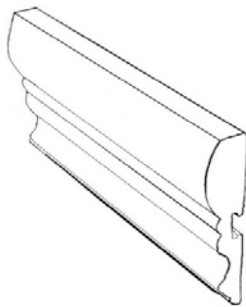
Inside Mount	
Width	Order width minus 1/8"
Standard Returns	None, valance is flush cut on the end.
Bracket Installation	Recessed, the front edge of bracket mounted 5/8" from the front of wall.

Outside Mount Valance w/ Standard Returns	Flush Mount
---	-------------



Inside Mount	How Valances are Measured
--------------	---------------------------

A = Valance Width    B = Return Length



# BDD Sonoran Faux Wood Collection

Smooth and Sandblast Painted/Whites

		WIDTH TO												
		24"	30"	36"	42"	48"	54"	60"	66"	72"	78"	84"	90"	96"
HEIGHT TO	30"	86	93	100	109	117	138	144	152	161	181	191	197	204
	36"	89	96	104	115	124	144	152	162	171	191	203	210	217
	42"	92	100	108	119	142	150	158	169	178	200	211	219	227
	48"	95	103	114	125	149	158	166	177	188	210	222	230	240
	54"	97	107	117	143	155	164	173	183	209	218	230	240	250
	60"	101	111	122	149	161	171	181	193	218	228	242	252	263
	66"	103	114	139	152	166	177	187	200	226	236	251	261	272
	72"	107	118	144	158	172	183	195	208	235	247	263	274	284
	78"	109	122	148	163	178	189	201	228	243	255	271	283	295
	84"	112	139	152	169	183	196	209	237	252	265	282	295	307
	90"	128	142	156	173	189	202	216	244	260	273	291	304	318
	96"	132	146	159	178	194	208	221	251	267	281	299	313	327
	102"	135	149	165	183	201	216	243	259	277	291	311	326	339
	108"	138	152	169	187	205	220	250	266	284	299	319	335	350

\*Two or more blinds on one headrail are recommended for sizes in shaded area. Price as two separate blinds.  
The gap between multiple blinds on one headrail is 1/4". Cordless available on single shades up to 72".

Features and Specifications		Cloth Tape Colors								
Slat Size	2" Wide	100 White		349 Clay						
Headrail	2 1/4"x2" High Profile Steel HR	113 Duck White		378 Cocoa						
Bottom Rail	Trapezoid	293 Bordeaux		504 Moss						
Valance	3 1/4" Crown	302 Taupe		572 Forest						
Tilt Control	Cord Standard	307 White Smoke		685 Midnight Blue						
Brackets	Box, Metal	323 Dark Beige		899 Black						
2/3 Blinds on 1 Headrail	No Additional Charge	334 Pecan								
Maximum Width	96" O.B.	Ladder Count Chart								
Maximum Length	108"	O.B. Width	Qty.	O.B. Width	Qty.					
Minimum Width	8" O.B.	8" - 20"	2	45 1/8" - 67"	5					
Minimum Length	6"	20 1/8" - 38"	3	67 1/8" - 81"	6					
Maximum Valance Width	96" O.B.	38 1/8" - 45"	4	81 1/8" - 96"	7					
Deductions	I.B.:Width-1/2", O.B.:None	Sonoran Battery Motorization Options: Tilt Only *								
Blinds under 20" O.B.	Split Controls Only	Radio:	12V RTS Motor w/ reloadable wand**							
Blinds under 12" O.B.	Center Tilt Only		12V RTS Motor w/ rechargeable wand†							
Camber /Bow Tolerance	1/32" per 12" of Width		Single Channel Remote (White)							
Hold Down Brackets	No Charge at Time of Order		Five Channel Remote (White)							
Extension Brackets	No Charge at Time of Order		Single Channel Cut-In Wall Switch (White)							
Cordless*†	Min: 20" x 24" Max: 72" x 72"		Five Channel Cut-In Wall Switch (White)							
Warranty	Limited Lifetime		Motor charger							
*Cordless not available for multiple shades on one headrail.		* Net Pricing **Uses 8-AA Lithium Ion Batteries								
† Cordless not available with privacy (routless)		† Motor charger required								
Retail Surcharge Options										
Cut-out--per side	\$15	Cloth Tape Ladders		add 15%						
Cut-out--center	\$20	Privacy with no route holes		add 10%						
Striping charge	\$25 first color	Cordless - up to 48"		\$35						
	\$10 each additional	Cordless - 48-1/8" - 72"		\$70						
Stacking Height Chart										
HEIGHT	36"	42"	48"	54"	60"	66"	72"	84"	96"	108"
STACKING HEIGHT	5 7/8"	6 3/8"	7 1/4"	7 3/4"	8 1/4"	8 3/4"	9 1/2"	10 5/8"	11 3/4"	12 7/8"

# BDD Sonoran Faux Wood Collection

## Stains

WIDTH TO

	24"	30"	36"	42"	48"	54"	60"	66"	72"	78"	84"	90"	96"
30"	91	99	107	117	127	148	156	166	175	197	209	216	224
36"	95	103	114	125	135	158	167	178	188	211	224	232	241
42"	97	108	118	131	156	165	175	187	198	221	235	244	255
48"	102	114	125	139	164	175	186	198	211	235	250	260	271
54"	105	117	130	157	171	182	194	208	234	245	261	273	284
60"	110	123	136	165	180	193	205	219	248	260	276	289	302
66"	114	127	155	171	187	200	213	228	257	271	288	300	314
72"	118	132	161	179	195	210	224	240	269	284	303	316	331
78"	122	136	166	185	202	217	232	263	280	295	314	329	344
84"	126	155	172	191	211	227	243	274	292	308	329	345	361
90"	142	159	177	197	217	234	251	283	303	320	341	358	375
96"	146	164	182	203	224	242	259	292	312	330	352	369	388
102"	150	169	188	211	233	251	283	304	326	344	367	386	405
108"	154	173	194	217	238	258	291	313	335	354	378	398	417

\*Two or more blinds on one headrail are recommended for sizes in shaded area. Price as two separate blinds.

The gap between multiple blinds on one headrail is 1/4". Cordless available on single shades up to 72".

Features and Specifications		Cloth Tape Colors									
Slat Size	2" Wide	100 White		349 Clay							
Headrail	2 1/4"x2" High Profile Steel HR	113 Duck White		378 Cocoa							
Bottom Rail	Trapezoid	293 Bordeaux		504 Moss							
Valance	3 1/4" Crown	302 Taupe		572 Forest							
Tilt Control	Cord Standard	307 White Smoke		685 Midnight Blue							
Brackets	Box, Metal	323 Dark Beige		899 Black							
2/3 Blinds on 1 Headrail	No Additional Charge	334 Pecan									
Maximum Width	96" O.B.	Ladder Count Chart									
Maximum Length	108"	O.B. Width	Qty.	O.B. Width	Qty.						
Minimum Width	8" O.B.	8" - 20"	2	45 1/8" - 67"	5						
Minimum Length	6"	20 1/8" - 38"	3	67 1/8" - 81"	6						
Maximum Valance Width	96" O.B.	38 1/8" - 45"	4	81 1/8" - 96"	7						
Deductions	I.B.:Width-1/2", O.B.:None	Sonoran Battery Motorization Options: Tilt Only *									
Blinds under 20" O.B.	Split Controls Only	<b>Radio:</b>	12V RTS Motor w/ reloadable wand**								
Blinds under 12" O.B.	Center Tilt Only		12V RTS Motor w/ rechargeable wand†								
Camber /Bow Tolerance	1/32" per 12" of Width		Single Channel Remote (White)								
Hold Down Brackets	No Charge at Time of Order		Five Channel Remote (White)								
Extension Brackets	No Charge at Time of Order		Single Channel Cut-In Wall Switch (White)								
Cordless*†	Min: 20" x 24" Max: 72" x 72"		Five Channel Cut-In Wall Switch (White)								
Warranty	Limited Lifetime		Motor charger								
*Cordless not available for multiple shades on one headrail.		<b>* Net Pricing **Uses 8-AA Lithium Ion Batteries</b>									
† Cordless not available with privacy (routless)		<b>† Motor charger required</b>									
Retail Surcharge Options											
Cut-out--per side	\$15	Cloth Tape Ladders		add 15%							
Cut-out--center	\$20	Privacy with no route holes		add 10%							
Striping charge	\$25 first color	Cordless - up to 48"		\$35							
	\$10 each additional	Cordless - 48-1/8" - 72"		\$70							
Stacking Height Chart											
HEIGHT		36"	42"	48"	54"	60"	66"	72"	84"	96"	108"
STACKING HEIGHT		5 7/8"	6 3/8"	7 1/4"	7 3/4"	8 1/4"	8 3/4"	9 1/2"	10 5/8"	11 3/4"	12 7/8"

# BDD Sonoran Wood Collection

## 2" Basswood Blinds

		WIDTH TO											
		24"	30"	36"	42"	48"	54"	60"	66"	72"	78"	84"	96"
HEIGHT TO	30"	98	108	120	133	144	167	178	192	203	227	239	263
	36"	103	116	129	144	156	180	192	208	221	245	259	286
	42"	107	121	136	151	177	190	204	220	233	260	275	303
	48"	113	129	144	162	189	203	218	236	251	279	295	326
	54"	118	133	151	182	197	213	229	248	277	293	310	344
	60"	124	142	159	192	209	226	244	264	295	312	330	367
	66"	129	146	178	199	218	236	255	277	308	326	346	384
	72"	134	153	186	210	230	249	269	292	324	345	366	408
	78"	138	159	193	217	238	259	279	317	338	359	381	425
	84"	144	179	202	228	250	272	295	333	355	378	401	448
	90"	162	184	209	235	258	282	305	345	368	392	417	466
	96"	165	190	215	243	268	291	316	357	382	406	432	483
	102"	171	197	224	254	279	304	343	373	399	425	452	506
108"	176	203	230	261	288	315	354	385	412	439	467	524	
114"	182	210	239	271	300	328	368	401	429	458	488	547	
120"	186	216	245	278	308	337	380	413	442	472	503	565	

\*Two or more blinds on one headrail are recommended for sizes in shaded area. Price as two separate blinds.

The gap between multiple blinds on one headrail is 1/4". Cordless available on single shades up to 72".

Features and Specifications		Cloth Tape Colors			
Slat Size	2" Wide	100 White		349 Clay	
Headrail	2 1/4"x2" High Profile Steel HR	113 Duck White		378 Cocoa	
Bottom Rail	Trapezoid	293 Bordeaux		504 Moss	
Valance	3 1/4" Crown	302 Taupe		572 Forest	
Tilt Control	Cord Standard	307 White Smoke		685 Midnight Blue	
Brackets	Box, Metal	323 Dark Beige		899 Black	
2/3 Blinds on 1 Headrail	No Additional Charge	334 Pecan			
Maximum Width	96" O.B.	Ladder Count Chart			
Maximum Length	120"	O.B. Width	Qty.	O.B. Width	Qty.
Minimum Width	8" O.B.	8" - 36"	2	60 1/8" - 85"	4
Minimum Length	6"	36 1/8" - 60"	3	85 1/8" - 96"	5
Maximum Valance Width	96" O.B.	Sonoran Battery Motorization Options: Tilt Only *			
Deductions	I.B.:Width-1/2", O.B.:None	<b>Radio:</b>	12V RTS Motor w/ reloadable wand**		\$160
Blinds under 20" O.B.	Split Controls Only		12V RTS Motor w/ rechargeable wand†		\$200
Blinds under 12" O.B.	Center Tilt Only		Single Channel Remote (White)		\$45
Camber /Bow Tolerance	1/32" per 12" of Width		Five Channel Remote (White)		\$55
Hold Down Brackets	No Charge at Time of Order		Single Channel Cut-In Wall Switch (White)		\$35
Extension Brackets	No Charge at Time of Order		Five Channel Cut-In Wall Switch (White)		\$45
Cordless*†	Min: 20" x 24" Max: 72" x 72"		Motor charger		\$20
Warranty	Limited Lifetime		<b>* Net Pricing **Uses 8-AA Lithium Ion Batteries</b>		
*Cordless not available for multiple shades on one headrail.		† Motor charger required			
† Cordless not available with privacy (routless)					

Retail Surcharge Options			
Cut-out--per side	\$15	Cloth Tape Ladders	add 15%
Striping charge	\$25 first color	Privacy with no route holes	add 10%
	\$10 each additional	Cordless - up to 48"	\$35
		Cordless - 48-1/8" - 72"	\$70

Stacking Height Chart												
HEIGHT	36"	42"	48"	54"	60"	66"	72"	84"	96"	108"	120"	
STACKING HEIGHT	5 7/8"	6 3/8"	7 1/4"	7 3/4"	8 1/4"	8 3/4"	9 1/2"	10 5/8"	11 3/4"	12 7/8"	14"	