

AUTOMATE | DCRF Q2.0

Part #: MTDCRFQ28 - 2

Description: DC Tubular motor with RF control.

FEATURES

- Recommended max shade size 120"x120"
- Levelling Control
- Simple limit setting and adjustment
- Favorite position
- 3 operational speed settings available
- 2-way RF communication
- New ARC protocol for simple programming

TECHNOLOGIES



QUIET
OPERATION



ELECTRONIC
LIMIT



LEVELING
CONTROL



FAVORITE
POSITION



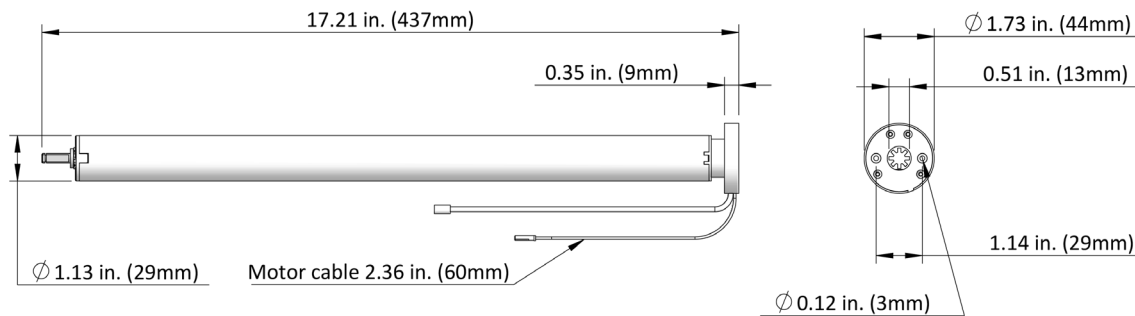
SELECTABLE
RPM



433 MHZ
BI-DIRECTIONAL



DIMENSIONS



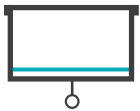
SPECIFICATIONS

Voltage	12	IP Rating	IP44
Torque	2Nm	Limit Switch Type	Electronic
Max Run Time	10 Min	Amps	1.25A
Speed	28 RPM (Adjustable to 24 or 20)	Temp Working Range	32°F to 140°F (0°C to 60°C)
Radio Frequency	433.92 MHz	Insulation Class	III
RF Modulation	FSK	Sound Level	~44DB

Leading innovator of precision hardware and automated shade solutions.

USA | AUSTRALIA | EUROPE rolleseeacmeda.com

APPLICATIONS



ROLLER SHADE



ROMAN SHADES

COMPATIBLE SYSTEMS

- Skyline
- R Series
- S45 Roller Shades

COMPATIBLE TUBES

- 1-1/2"
- 2" Ribbed
- S45

ACCESSORIES

POWER SOLUTIONS	<p>Descr: Power Supply for 28/35/45mm DCRF (No Batt) Mtr Part #: MTDCPS-28-35-45</p> <p>Descr: Rchrgbl Btry Pak- 28mm DCBRF (No Batt) Mtr 2600mAh Part #: MTBPCR-28</p>	CROWN AND DRIVES	<p>Descr: Crown and Drive Set 28mm motor in 1½" tube Part #: MTCRDR-28-1.5</p>
EXTENSION CABLES	<p>Descr: DC Motor Cable extender 6"/155mm Part #: MTDC-CBLXT6</p>	BRACKET ADAPTERS	<p>Descr: Crown and Drive Set 28mm motor in 2" tube Part #: MTCRDR-28-2</p>
REMOTES & SWITCHES	<p>Descr: DC Motor Cable extender 48"/1220mm Part #: MTDC-CBLXT48</p> <p>Descr: DC Motor Cable extender 96"/2440mm Part #: MTDC-CBLXT96</p> <p>Descr: Paradigm 1CH ARC Remote Part #: MTRF-REM-1</p> <p>Descr: Paradigm 15CH ARC Remote Part #: MTRF-REM-15</p> <p>Descr: RF White 1 Channel Decorator Wall Switch (Cut In) Part #: MTRF-WS-1C</p> <p>Descr: RF White 2 Channel Decorator Wall Switch (Cut In) Part #: MTRF-WS-2C</p> <p>Descr: RF White 15 Channel Decorator Switch (Cut In) Part #: MTRF-WS-15</p> <p>Descr: RF White 5 Channel Decorator Surface Mount Switch Part #: MTRF-WS5-FLUSH</p>		<p>Descr: Crown & Drive Set for 28mm DC motor in S45 Tubes Part # MTCRDR-28-S45</p>
AUTOMATION DEVICES	<p>Descr: Motor Adapter 25/28/35mm to SKY 6nm Part #: MTAD-252835-SL</p> <p>Descr: Motor Adapter 25/28mm to SKY 12nm v2 White Part #: MTAD-25-28-SLV2W</p> <p>Descr: Motor Adapter 25/28/35mm to R-Series 3nm Part #: MTAD-252835-RS</p> <p>Desc ; M40 H/D Universal Disc Adapter S45 White Part #: RB40-1402-069400</p> <p>Descr: Sun Sensor Part #: MTRF-SUNSENS</p> <p>Descr: 1 Channel Dry Contact Input Module - 433 RF Part #: MTRF-DCIM-1C</p> <p>Descr: ARC "Pulse" Wi-Fi to 433 - 2 way RF Bridge Kit Part #: MTRF-WIFIBRIDGE-KIT</p>		