

Sonoran Motorization



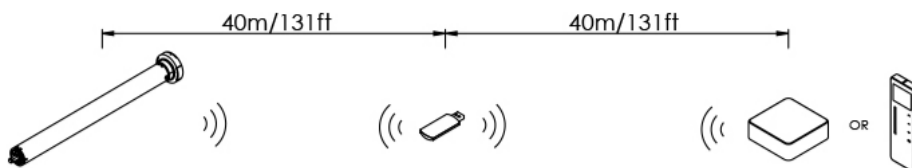
Arc Repeater

Increases the range between a remote/HUB and the motor.

**Used in conjunction with a USB adapter.*



REPEATER LAYOUT

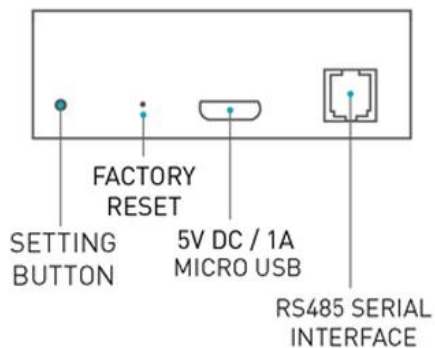


Arc Pulse Hub

Allows you to control your shades/drapery from a smart device such as an iPad, iPhone, android, Alexa, etc. Also used with in-home automation (Control 4 and Crestron only).

INTEGRATION: 1 required for every 10 shades that are to be integrated.

HUB CONNECTIONS

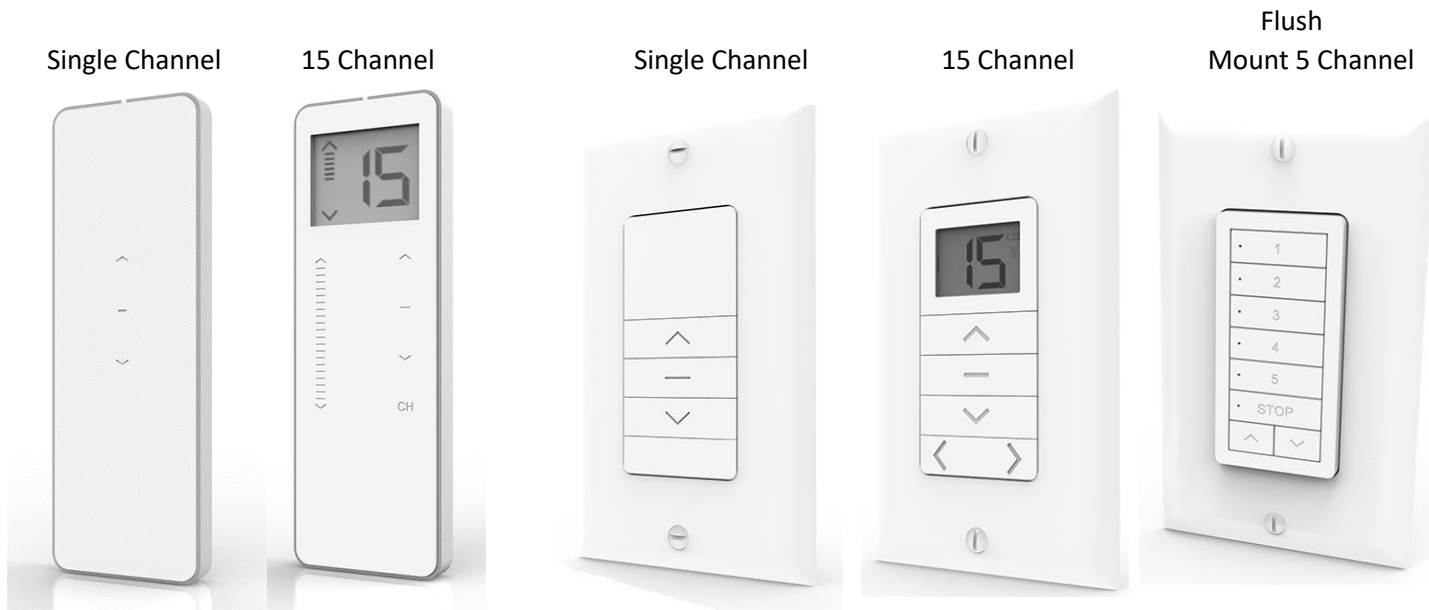


Remotes

Flush mounts to the wall and has a magnetic wall plate.
 Battery powered using 1 CR2450 battery.

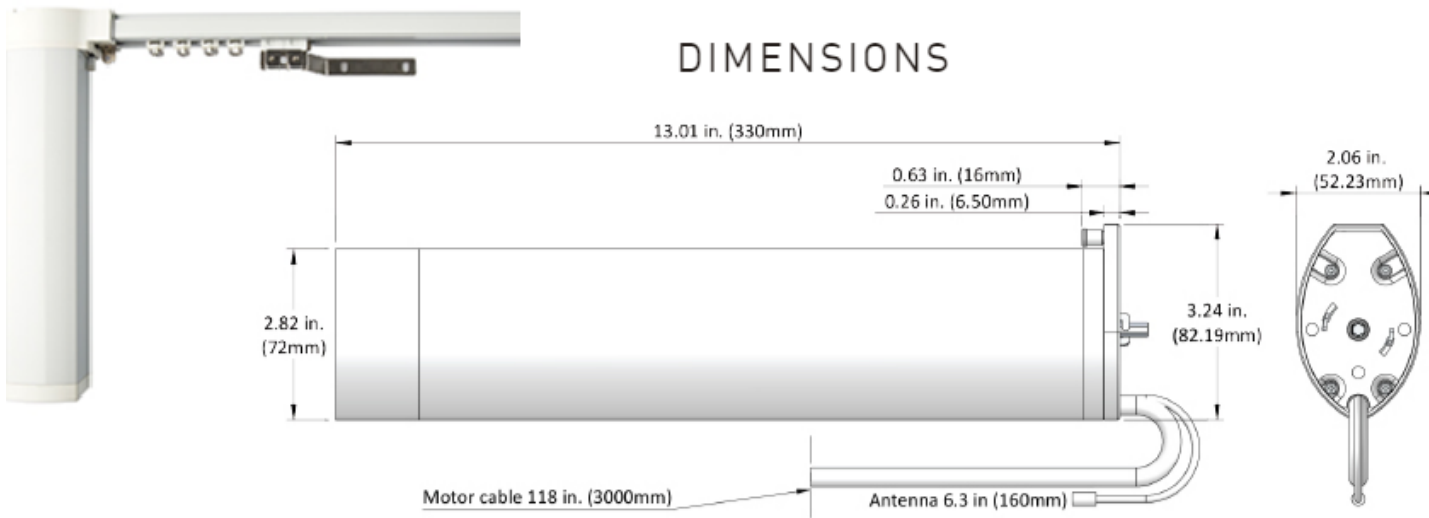
Wall Switches

Wall switches are a "cut in" style similar to standard wall switches. They are battery powered using 3 AAA batteries.
Exception to above is the Flush Mount 5 Channel remote, it attaches to the surface of the wall without needing to cut into the wall.
 Battery powered using 1 CR2430 battery.



Drapery Motor

110v motor* – 110lb weight capacity (77lb option available) – 9ft motor lead (118" to be exact)
 *Requires power at install location – not available in a battery option (see Somfy Irismo 45)
 ** 110lb and 77lb are virtually the same – the only difference is the motor assembly



Sonoran tube motors

Roller shades, woven woods and roman shades

**See motor parts page for common order scenarios*

- 251 12v rechargeable motor – Tube size: 1-1/2" – True minimum: 20" – Max width/weight: 84"/12lbs
- 282 12v rechargeable motor – Tube size: 1-1/2" or 2" – True minimum: 28" – Max width/weight: 108"/18lbs
- 453 12v rechargeable motor – Tube size: 2" or 2-1/2" – True minimum: 37" – Max width/weight: 144"/21lbs
- 251DC (12v power supply) – Tube size: 1-1/2" – True minimum: 14-1/2" – Max width/weight: 84"/12lbs
- 282DC (12v power supply) – Tube size: 1-1/2" or 2" – True minimum: 19-1/2" – Max width/weight: 108"/18lbs
- 453DC (12v power supply) – Tube size: 2" or 2-1/2" – True minimum: 33" – Max width/weight: 144"/21lbs
- 4510AC (3-prong w/ 10ft lead) – Tube size: 2" or 2-1/2" – True minimum: 35" – Max width/weight: 144"/42lbs

Motor charger

Required to recharge any Sonoran rechargeable motor

**13-foot lead*



Tilt motor

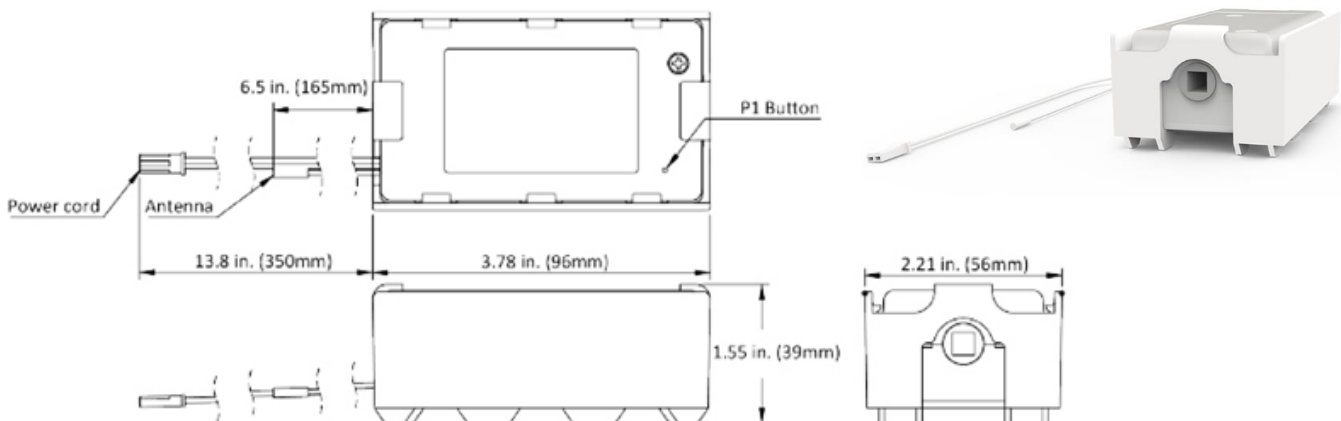
2" Sonoran Faux/Wood

Rechargeable external battery wand* – Headrail size: 2" x 2" High Profile – True minimum 18" Max size: 72" x 72"

**other power options: reloadable battery pack (uses 8 lithium AA batteries), 12v power supply*

Rechargeable wand is approx. 9-1/2" wide, can be mounted vertical or horizontal

DIMENSIONS



BDD, Inc

Rev. 2.7.18

Tucson, AZ

Phoenix, AZ

Salt Lake City, UT

Albuquerque, NM

Las Vegas, NV

Cord lift motor

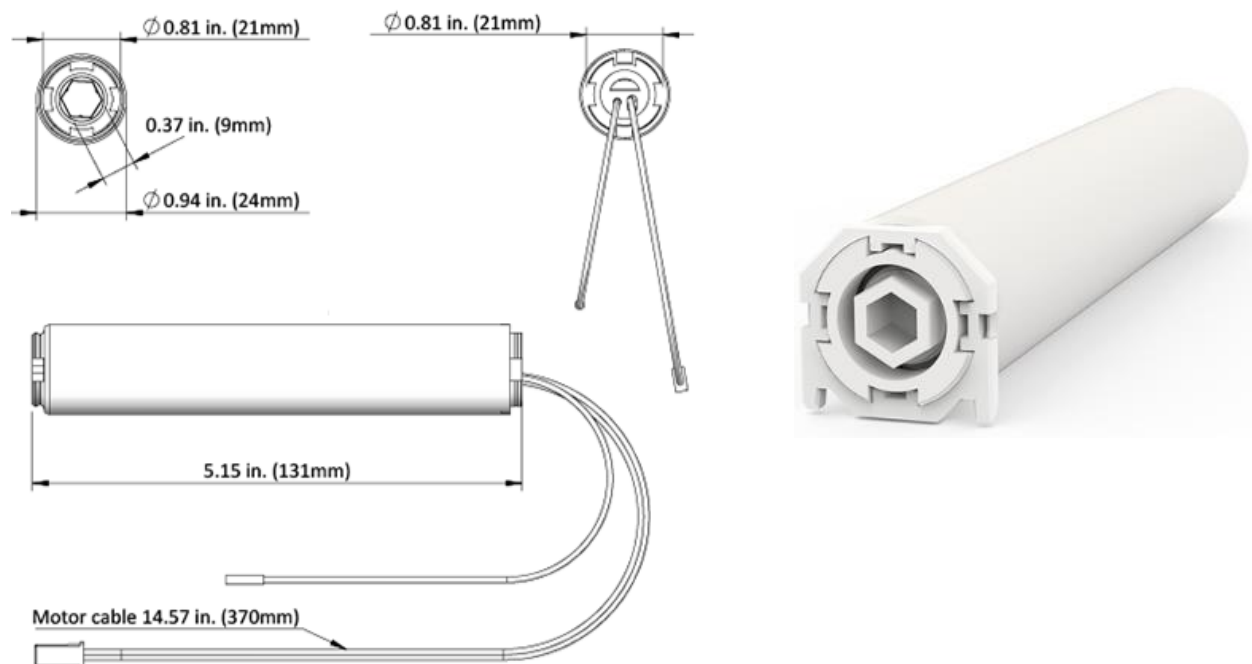
Sonoran Cellular

Rechargeable external battery wand* – Headrail size: 1-9/16" x 1-1/8" – True minimum: 24" Max size: 120" x 120"

**other power options: reloadable battery pack (uses 8 lithium AA batteries), 12v power supply*

Rechargeable wand is approx. 9-1/2" wide, can be mounted vertical or horizontal

DIMENSIONS



Sun Sensor

A discreet device that easily mounts to the inside of a window with a suction cup. 4 pre-set light intensity thresholds. Shades will lower when the sunlight intensity goes above the selected level.

DIMENSIONS



BDD, Inc

Rev. 2.7.18

Tucson, AZ

Phoenix, AZ

Salt Lake City, UT

Albuquerque, NM

Las Vegas, NV